

PRODUCT NUMBER  
73398-YXXXLF

WHEN REQUIRED, ADD SUFFIX LETTER "LF" INDICATES THE PRODUCT IS RoHS COMPATIBLE, NOTE 6.  
PACKAGING OPTIONS, NOTE 3.

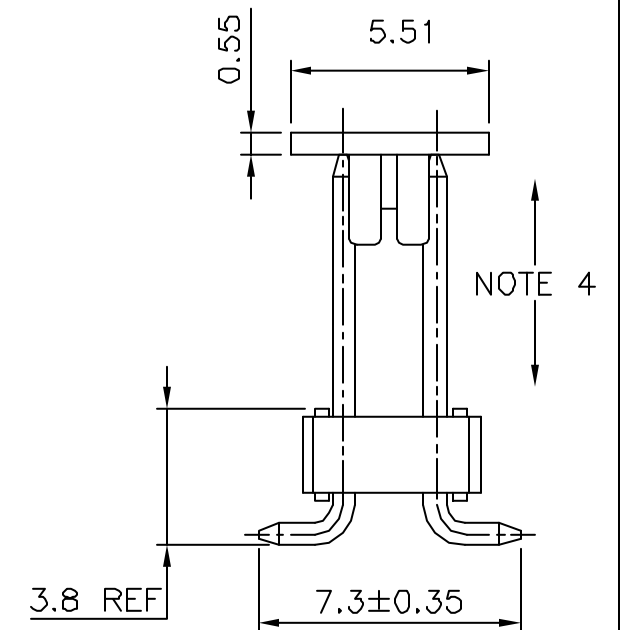
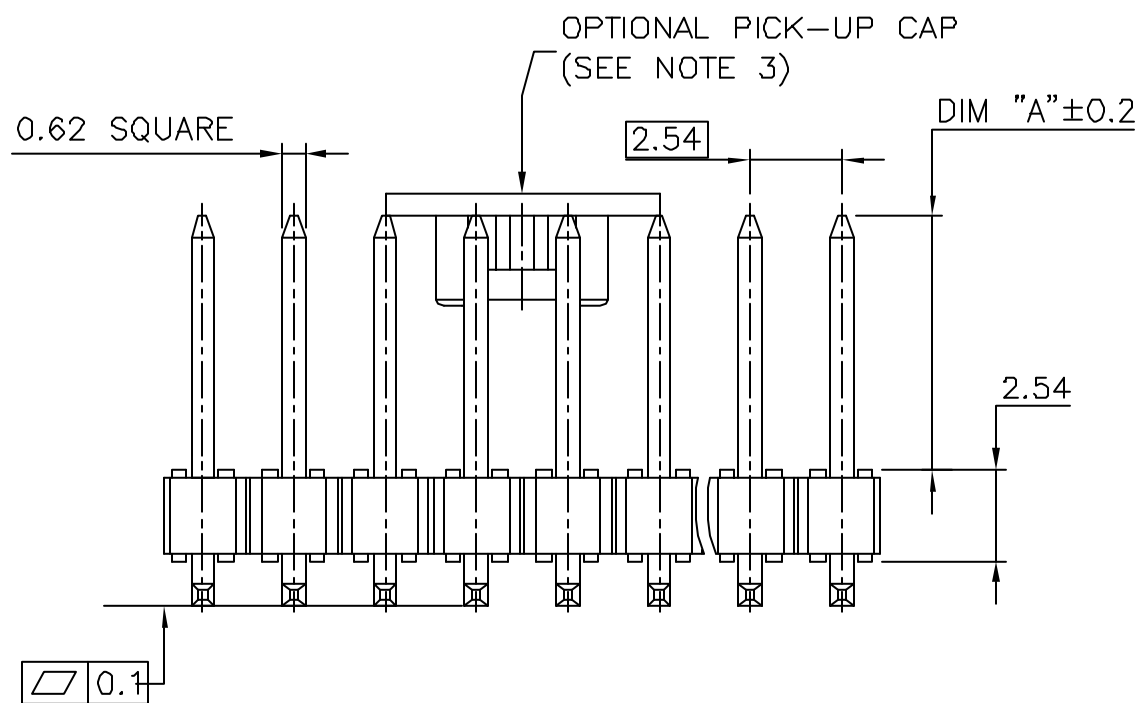
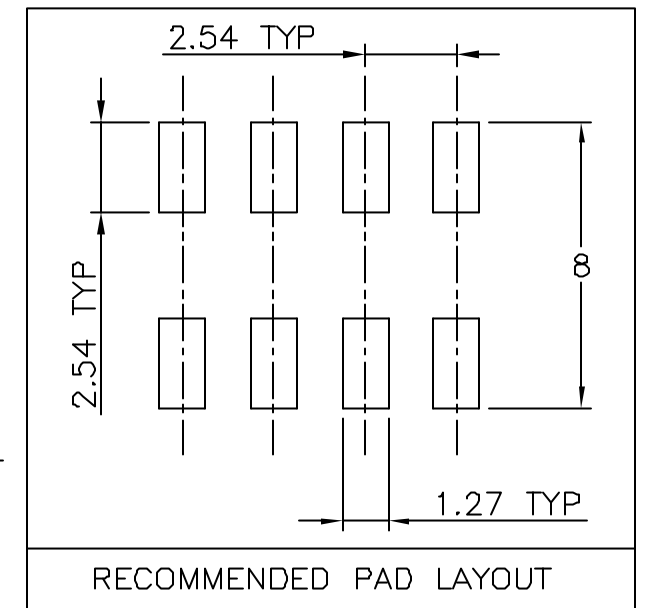
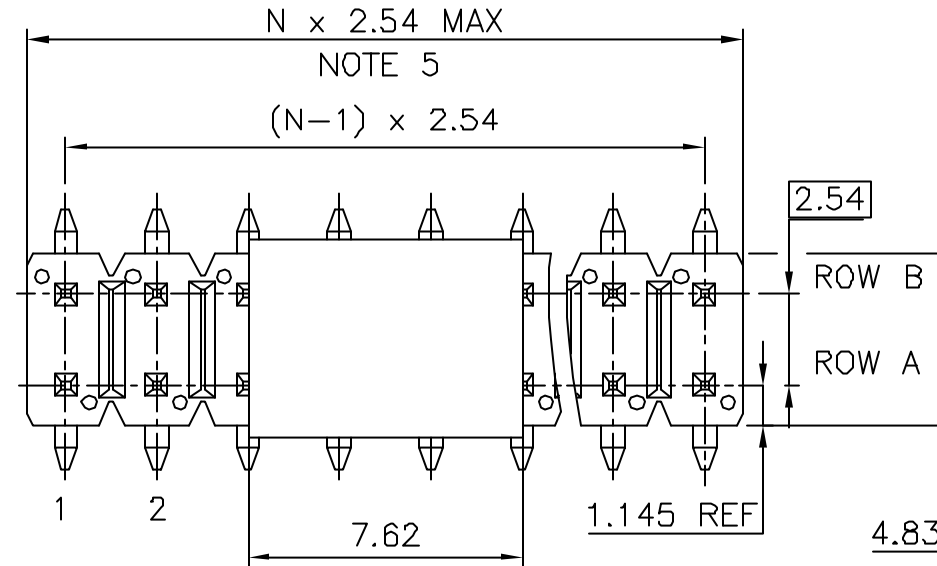
PLATING

- 1= 0.76µm GOLD/GXT ON CONTACT AREA, 2µm TIN MIN ON TAILS
- 8= 0.38µm GOLD/GXT ON CONTACT AREA, 2µm TIN MIN ON TAILS
- 4= 2.0µm TIN MIN FULL PLATED
- 1.27µm NICKEL MIN UNDERLAYER FOR ALL PLATING VERSIONS

STYLE	SIZE	DIM "A"	OMIT PINS
01	2x05	5.84	A5
02	2x03	5.84	B2
03	2x04	5.84	B1
04	2x11	8.38	A6
05	2x20	8.38	B10
06	2x05	8.38	A5
07	2x08	5.84	B7
08	2x04	5.84	B4
09	2x20	5.84	A11
10	2x07	5.84	A4-B7
11	2x13	5.84	A3-B1

NOTES:

1. HOUSING MAT'L : HIGH TEMPERATURE THERMOPLASTIC. UL94V-0 COLOR: BLACK
2. PIN MATERIAL : PHOSPHOR BRONZE
- 3 - PACKAGING OPTIONS:
  - = POLY BAGS
  - B = TUBE + CAP
  - A = TAPE & REEL WITH CAP, SEE TA840 FOR PRODUCT AVAILABILITY.
4. 9N MIN RETENTION IN EITHER DIRECTION
5. TO DETERMINE DIMENSIONS :  
N = NUMBER OF POSITIONS PER ROW  
EXAMPLE : 8 POS N x 2.54 = 20.32mm
6. RoHS COMPATIBLE PRODUCT SPECIFICATIONS
  - a - PLATING:
    - "LF" MEANS THE PRODUCT IS LEAD-FREE, 2µm MINIMUM MATTE TIN OVER 1.27µm MINIMUM NICKEL UNDERPLATE.
  - b - MANUFACTURING PROCESS COMPATIBILITY
    - THE HOUSING WILL WITHSTAND EXPOSURE TO 260°C PEAK TEMPERATURE FOR 30 SECONDES IN A CONVECTION, INFRA-RED OR VAPOR PHASE REFLOW OVEN.
  - c - LABELING:
    - MEETS PACKAGING SPECS AS PER GS-14-920
  - d - LEGAL STATEMENT: SEE GS-22-008



mat'l. code				surface	tolerance	projection	product family
				ISO 1302	ISO 406 ISO 1101		HEADER
ltr				tolerances unless otherwise specified		mm	title
H	F06-0168	LMU	06.04.20	angles	xx ±0.3		HEADER DR,
J	F06-0208	JCO	06.06.22	Linear	xxx ±0.13		DUPLEX SMT POLARIZED
K	F08-0148	RTR	08.03.31		xxx ±0.05	scale 5:1	dwg no
L	F08-0206	JCO	08.07.25	dr	LMULIN	99.04.12	sheet 1 of 1
				enr	J COMPAGNON	99.04.12	size
F	F05-0138	LMU	05.03.02	chr			73398
G	F06-0110	LMU	06.01.18	appd	JMC	99.04.12	A3
sheet index	revision sheet						type
							CUSTOMER Drawing

FCIconnect.com  
Copyright FCI